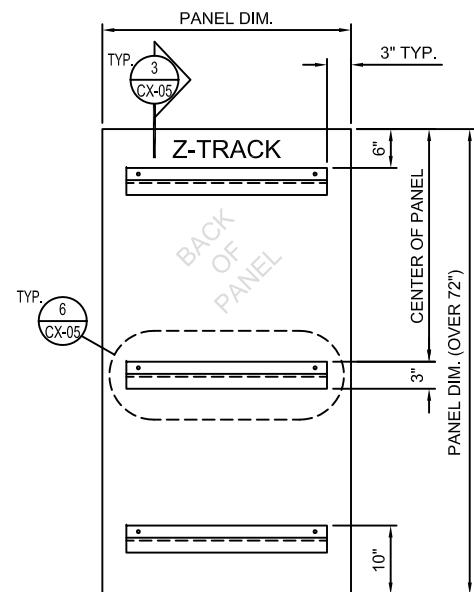
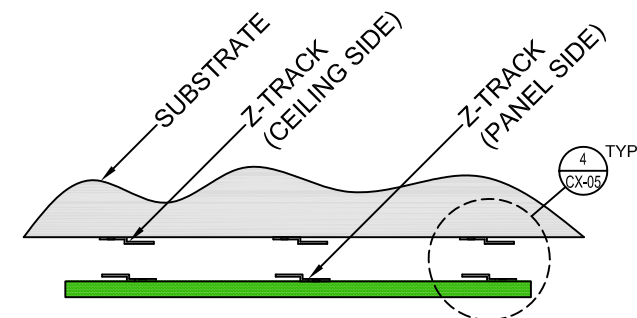


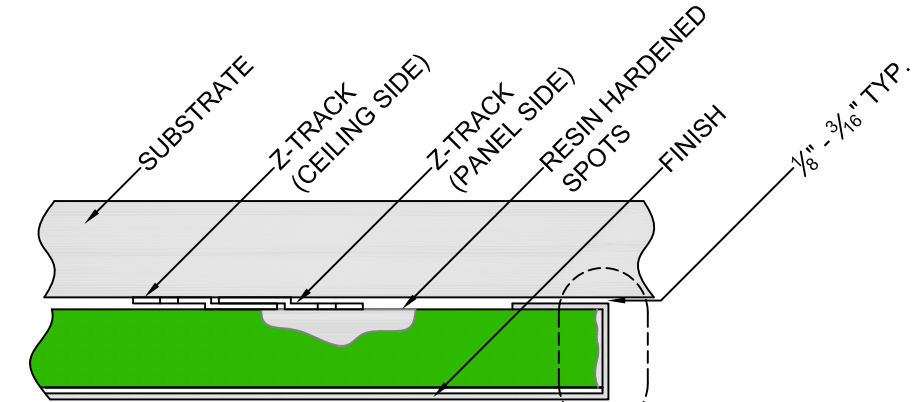
1
Z-TRACK ATTACHMENT
72" & UNDER
CX-05 SCALE: NA



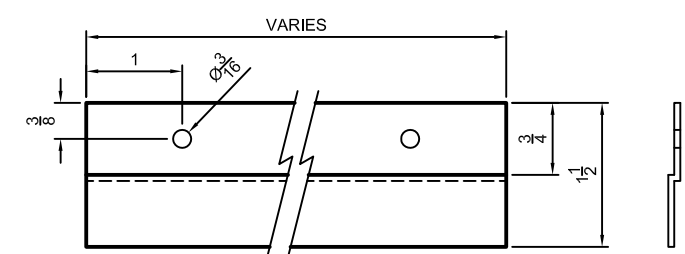
2
Z-TRACK ATTACHMENT
OVER 72"
CX-05 SCALE: NA



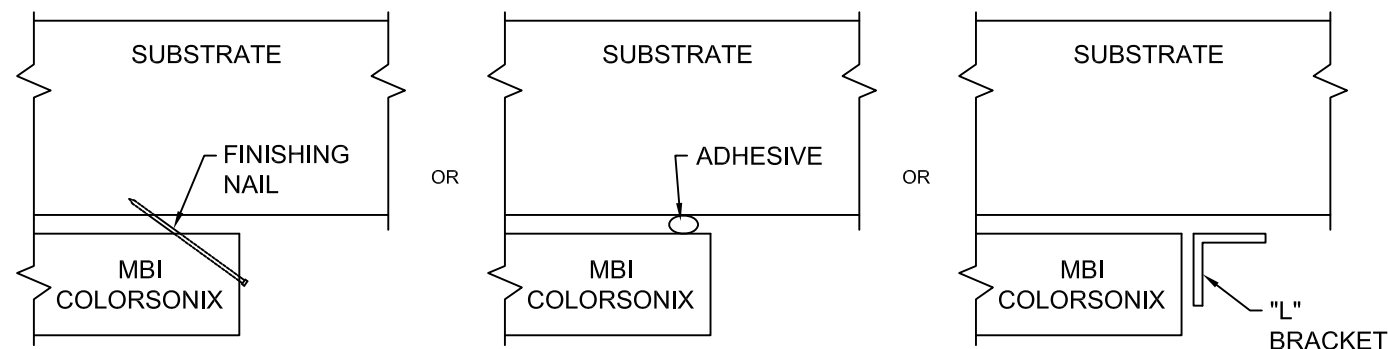
3
SIDE VIEW
CX-05 SCALE: NA



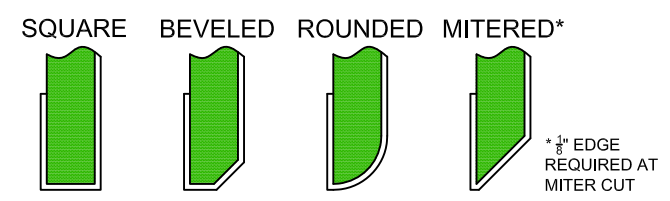
4
ATTACHMENT DETAIL
CX-05 SCALE: NA



6
Z-TRACK DETAIL
CX-05 SCALE: NA



5
ATTACHMENT DETAIL
CX-05 SCALE: NA



7
EDGE DETAILS
CX-05 SCALE: NA

THE END OF CEILING PANEL MUST BE SECURED TO AVOID SLIPPAGE. "L" BRACKETS, ADHESIVE, OR FINISHING NAILS ARE RECOMMENDED AS REQUIRED.

This drawing is property of MBI Products Company, Inc. Any reproduction or use of this drawing can only occur with written consent of MBI.

MBI Products Company, Inc.
801 Bond Street
Elyria, Ohio 44035
Telephone: (440) 322-6500
Fax: (440) 322-1900
Website: www.mbiproducts.com

Established 1965

Revisions:

No.	Date:	Description:

Sheet Description:
MBI Colorsonix®
Ceiling Panels
Z-Track Installation Details

MBI Products Company, Inc.

Drawn By: CPB

Date: 11/3/15

Scale: NA

Drawing Ref: None

Drawing:
CX-05