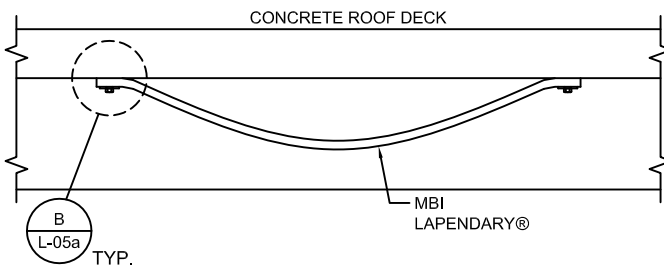


1 VIEW FROM BELOW
L-05a SCALE: NA

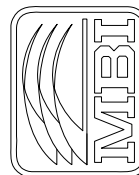
NOTE:
DETAIL DRAWN TO SHOW SUSPENSION ATTACHMENTS ONLY. IT IS NOT REPRESENTATIVE OF AN ACTUAL INSTALLATION.



2 HORZ. LAPENDARY - TYP. END ATTACHMENT DETAIL
D-05a SCALE: NA

This drawing is property of MBI Products Company, Inc. Any reproduction or use of this drawing can only occur with written consent of MBI.

MBI Products Company, Inc.
801 Bond Street
Elyria, Ohio 44035
Telephone: (440) 322-6500
Fax: (440) 322-1900
Website: www.mbiproducts.com

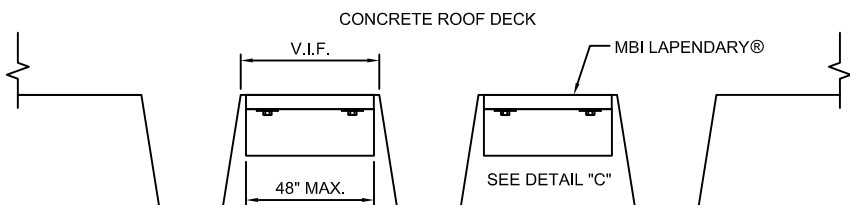


Revisions:

No. Date: Description:

No.	Date:	Description:

NOTE:
1) CONFIRM COFFER DIMENSIONS PRIOR TO INSTALL.



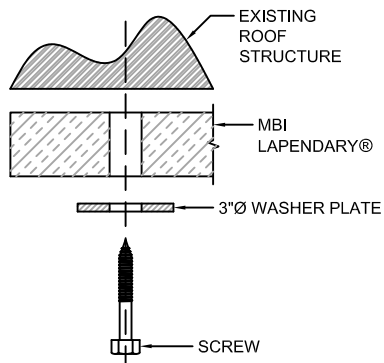
A HORZ. LAPENDARY - TYP. END ATTACHMENT DETAIL
D-05a SCALE: NA

NOTES:

1) ON SINGLE BANNER RUNS, DIRECT ATTACHMENT MAY BE USED ON BOTH ENDS.

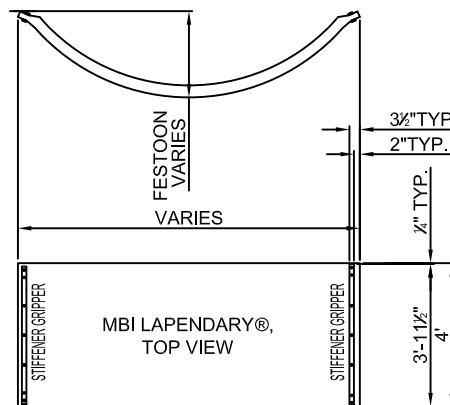
2) ON MULTIPLE BANNER RUNS, ADJUSTABLE ATTACHMENT TO BE USED ON ONE END. SEE DETAIL 1/L-05.

3) PERFORATED SIDE OF LAPENDARY® TO FACE DOWN.



B HARDWARE ATTACHMENT DETAIL
L-05a SCALE: NA

NOTE:
ALL MBI DRAWINGS AND DETAILS ARE INTENDED TO PROVIDE GENERIC INSTALLATION GUIDELINES ONLY. ACTUAL FIELD CONDITIONS MAY VARY AND NEED TO BE CONFIRMED BY OTHERS.



NOTE: MIN. FESTOON DEPTH REQUIREMENTS ARE DEPENDENT ON THE OVERALL LENGTH OF THE LAPENDARY® PANEL. PLEASE CALL MBI PRODUCTS FOR ENGINEERING ASSISTANCE ON THESE DIMENSIONS.

C STIFFENER/GRIPPER DETAIL
L-05a SCALE: NA

NOTE: FESTOON DIMENSION RANGES FROM 30" MIN. TO 8'-0" MAX. DEPENDING ON THE OVERALL LENGTH OF LAPENDARY®.

Sheet Description:

Lapendary® Panels
Direct Parallel Concrete Deck Attachment Details

Drawn By: CPB

Checked By: -

Approved By: -

MBI Products Company, Inc.

Date: 11/29/10

Scale: VARIES

Drawing Ref: None

Drawing:

L-05a